

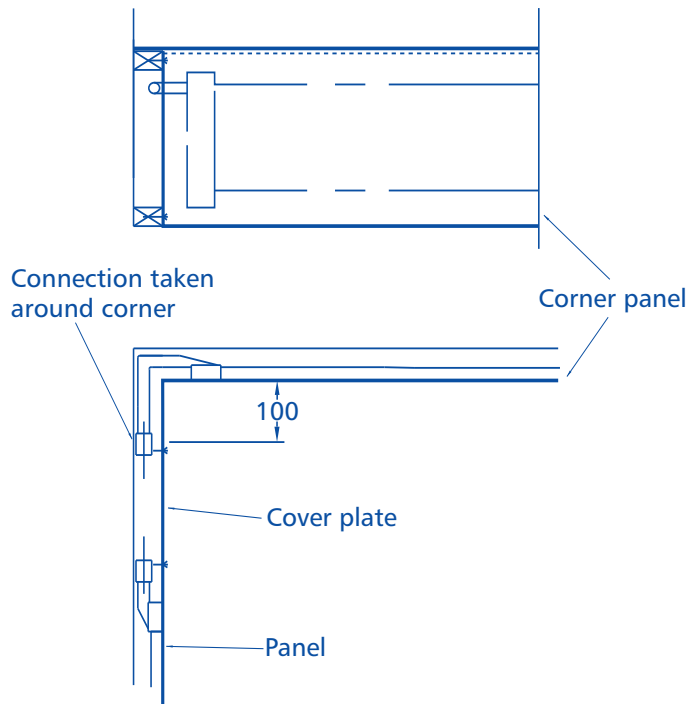
Technical Data Sheet



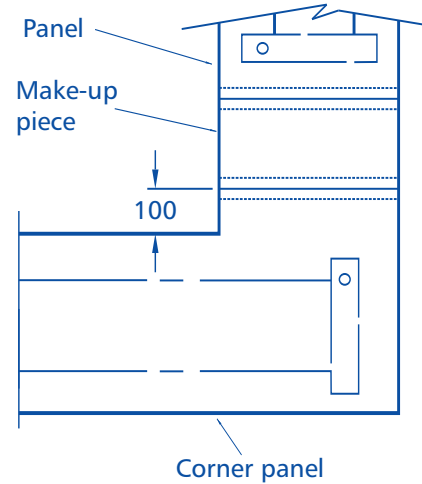
Radiant Heating & Cooling Panels

Steel Faced Corner Panels Steel Tubes

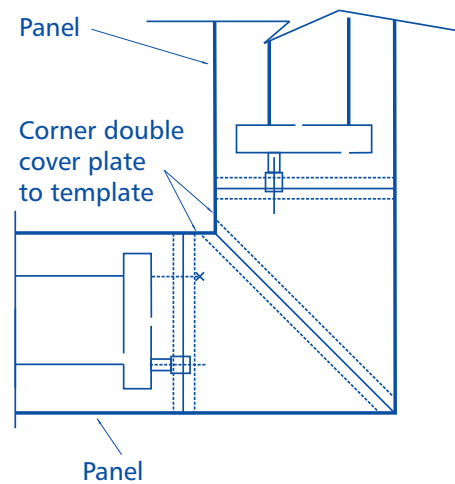
Data Sheet 11-0



Type CW (for wall panels)



Type CC (for ceiling panels)



Type CF (for floor panels)

NOTES

- Cover plates and make-up pieces manufactured to site dimensions after panels are fixed.
- Cover plates to be fixed to panels by spring clips.
- M4 countersunk set screws.
- Panel edges can be rolled or guillotined as required.

COMYN CHING & CO. (SOLRAY) LTD

SOLRAY WORKS, MANILLA STREET, DOCKLANDS, LONDON E14 8LG

TEL: 020 7987 8787 FAX: 020 7987 9898

WWW.SOLRAY.CO.UK E-MAIL: SALES@SOLRAY.CO.UK