

# Technical Data Sheet



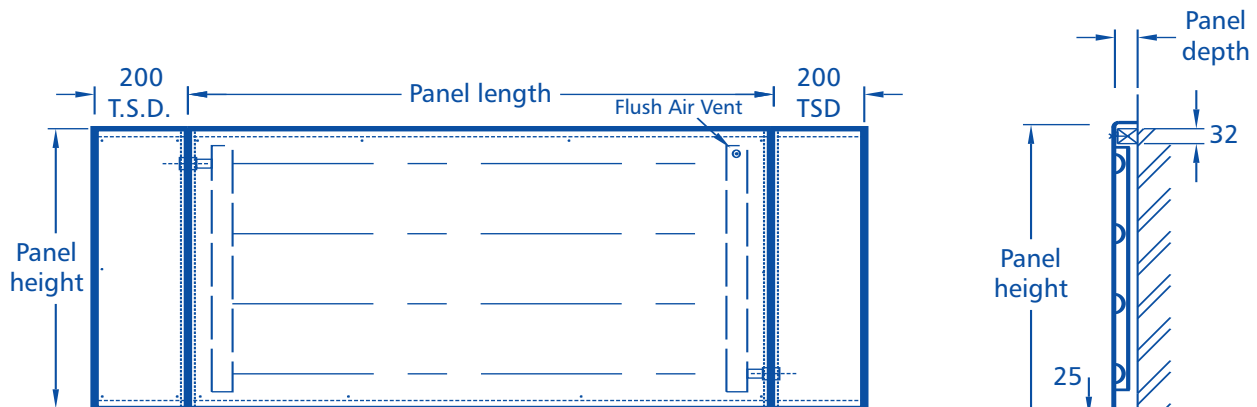
Radiant Heating & Cooling Panels

## Solray Wall Panel 2RW2C:S

2 Returned Edges, 2 Cover Plates

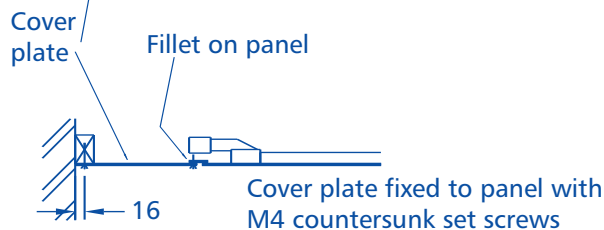
Wall Mounted, Steel Faceplate

Data Sheet 6-6



Front Elevation

Section



### Cover Plate Detail

#### NOTES

- All panels are constructed from 2mm mild steel.
- Panels finished in a primer for final painting on site by others with the first coat being applied prior to installation, or in a factory applied textured powdercoat to any standard colour.
- Timber grounds by others.
- Panels insulated with 50mm glass fibre class 'o' backed mattress.
- Panels drilled at approximately 600mm centres along returned edge for fixing with No.7 countersunk wood screws.
- Connections are 15mm, 20mm or 25mm BSP sockets.
- Top and bottom edges returned; side edges guillotined.
- Cover plate manufactured to site dimensions (TSD) after panels are fixed.
- Panels tested to 700 kPa at works.
- Panel mass is approximately 40kg/m<sup>2</sup>.