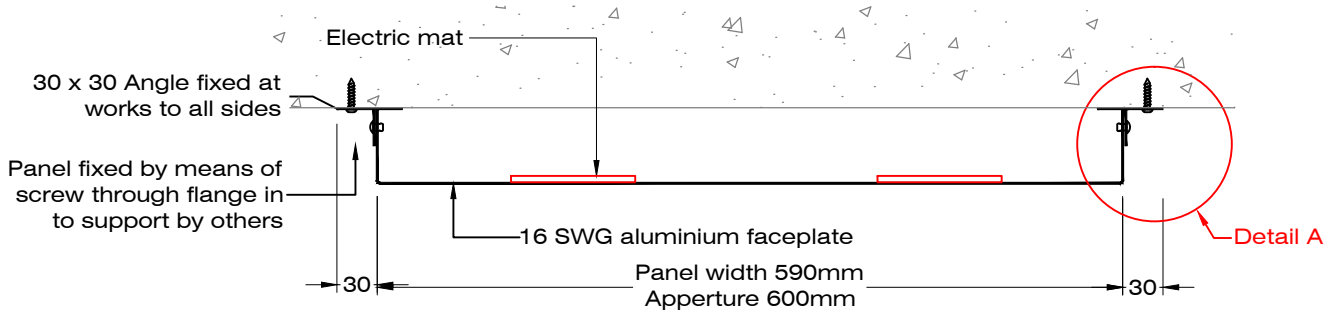
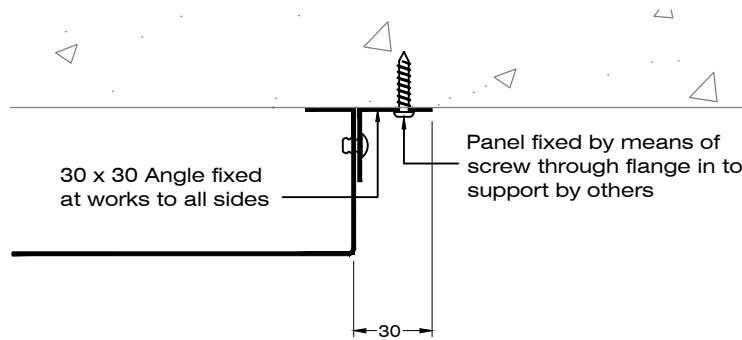


Solray Trident/SFH with Extra Side Flanges (Electric)

Application: Surface mounted on ceilings or walls



Trident/SFH Section Detail With Side Flanges



Detail A

	Standard	Special
Colour	RAL9010 (White)	Other colours available
Insulation	50mm foil back insulation (Class 'O')	Encapsulated
Mass	9kg/m ²	N/A
Connections	2 Piece terminal block (Click together)	N/A
Width	590mm	150-1350mm
Length	Increments of 600mm	Challenge us!

T 01792 89 22 11

E sales@solray.co.uk

Comyn Ching & Co. (Solray) Ltd.
Phoenix Way, Garngoch Ind Est, Gorseinon, Swansea SA4 9WF.

www.solray.co.uk

Registered In England: 12454878