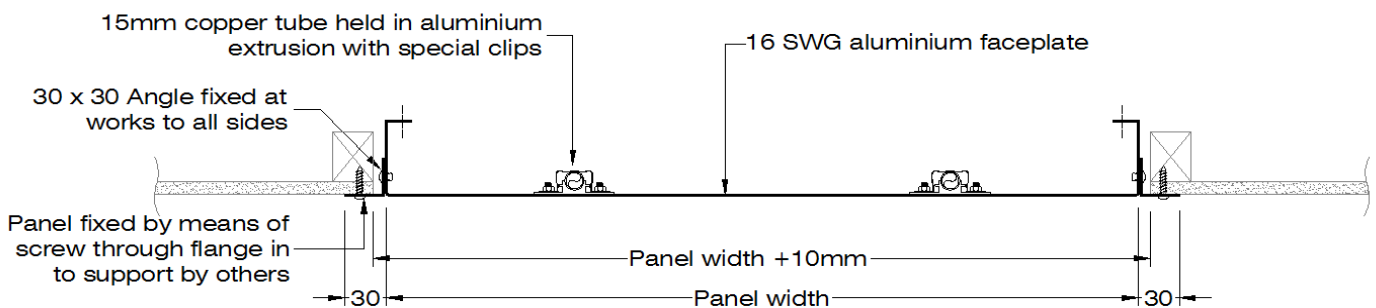
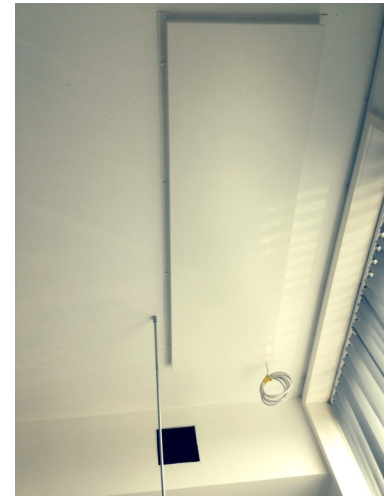


Solray Plasterboard (PB) Strips

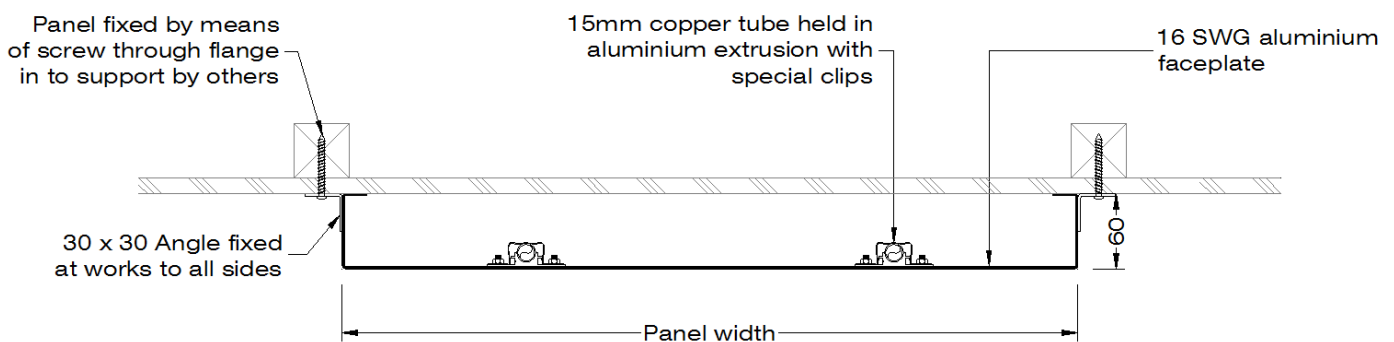
Application: Surface mounted or flush fitting on ceilings or walls

Solray PB Strips are a simple supply-only option for plasterboard ceilings and walls.

An extra side flange is added to a Solray Trident or FH panel (depending on size of panel and application) at our factory to allow the panels to be screwed into timber grounds from below.



Flush Mounted PB Strip Section Detail



Surface Mounted PB Strip Section Detail

Both the Flush Mounted and Surface Mounted PB Strips are available with or without cold cover plates to allow access to the connections and interconnections from below.



Solray PB Strip Technical Specification

- 1.6mm smooth aluminium faceplates, free of any ridges and lines
- Factory finished in a white texture to RAL 9010 (other colours can be provided)
- Waterways are copper tubes sized to minimise pressure drops while maintaining turbulent flow through all tubes. The minimum pipe diameter is 15mm to prevent the tubes blocking
- All factory assembled grids are tested to 7 bar, for system working pressures of 3.5 bar. Solray panels can be tested to higher pressures if required
- A drain cock, with an optional plugged hose access hole, is included as standard at all low points
- A discreet expansion strip covers the joints between panels to allow and conceal expansion
- Insulated with 50mm foil backed unencapsulated glass fibre with a thermal conductivity at 70°C of 0.045 W/m K
- Panel mass:
 - 1 tube / 150-300mm wide panels 3.7kg/m max
 - 2 tube / 350-600mm wide panels 7.0kg/m max
 - 3 tube / 650-900mm wide panels 10.3kg/m max
 - 4 tube / 950-1200mm wide panels 13.4kg/m max
- The outputs of Solray Panels have been tested to BS EN 14037.