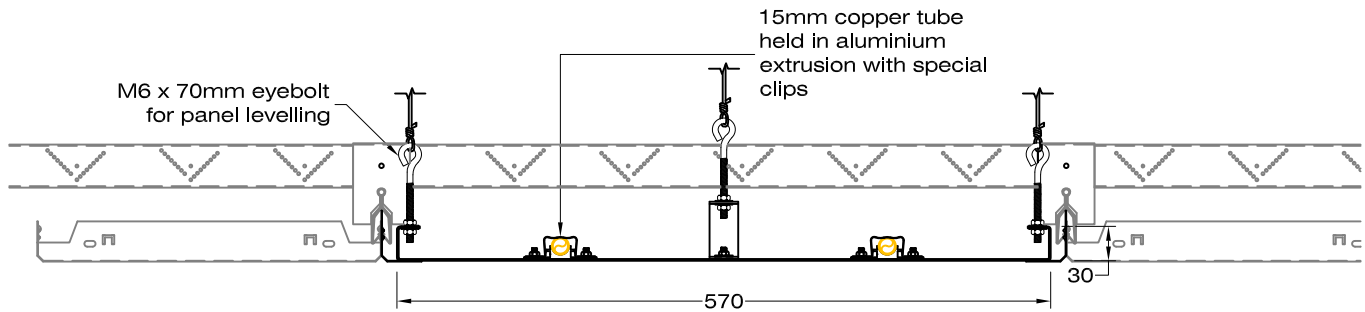
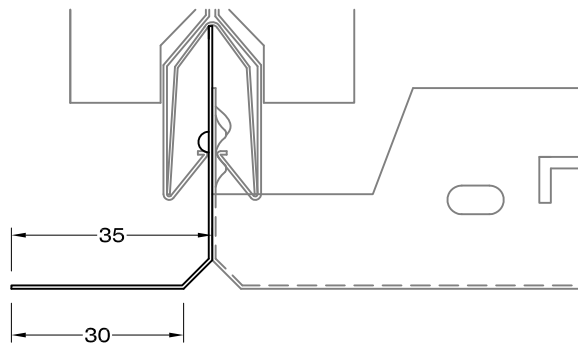


## Solray Trident

Application: Suspended ceilings (Concealed Grids)



Trident in Concealed Grid Section Detail



Solray Trim For Grid

	Standard	Special
Colour	RAL9010 (White)	Other colours available
Insulation	50mm foil back insulation (Class 'O')	Encapsulated
Mass (Inc. water)	9kg/m <sup>2</sup> (2 Water tubes)	N/A
Connections	15mm vertical tails	22mm vertical tails
Width	570mm	150-1350mm
Length	Increments of 600mm	Challenge us!

☎ 01792 89 22 11

✉ sales@solray.co.uk

Comyn Ching & Co. (Solray) Ltd.  
Phoenix Way, Garngoch Ind Est, Gorseinon, Swansea SA4 9WF.

[www.solray.co.uk](http://www.solray.co.uk)

Registered In England: 12454878