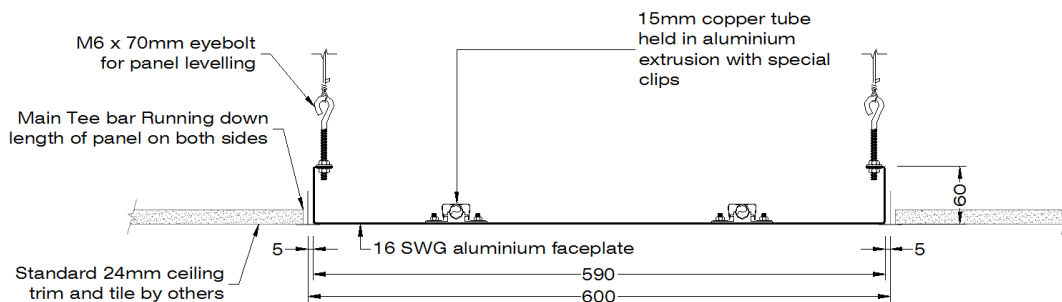


Solray Trident Panels

Application: Suspended Ceilings

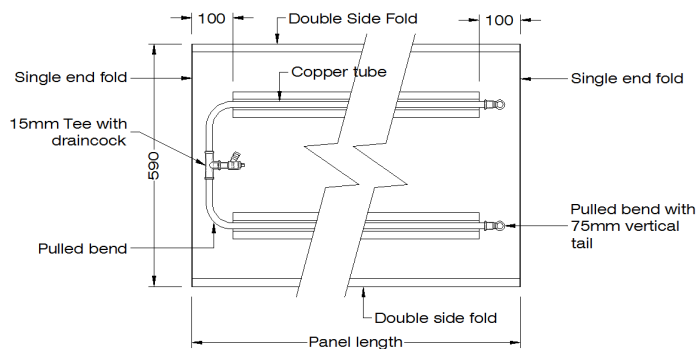
Suitable for integration into a 600mm x 600mm ceiling, Solray Trident Panels blend into the ceiling to give an almost invisible heating solution.



Trident Section Detail

Solray Trident Modular

Solray Trident Modular panels are available in nominal lengths from 600mm up to 3000mm (in 600mm increments) in both our standard 2 tube and higher output 4 tube options.

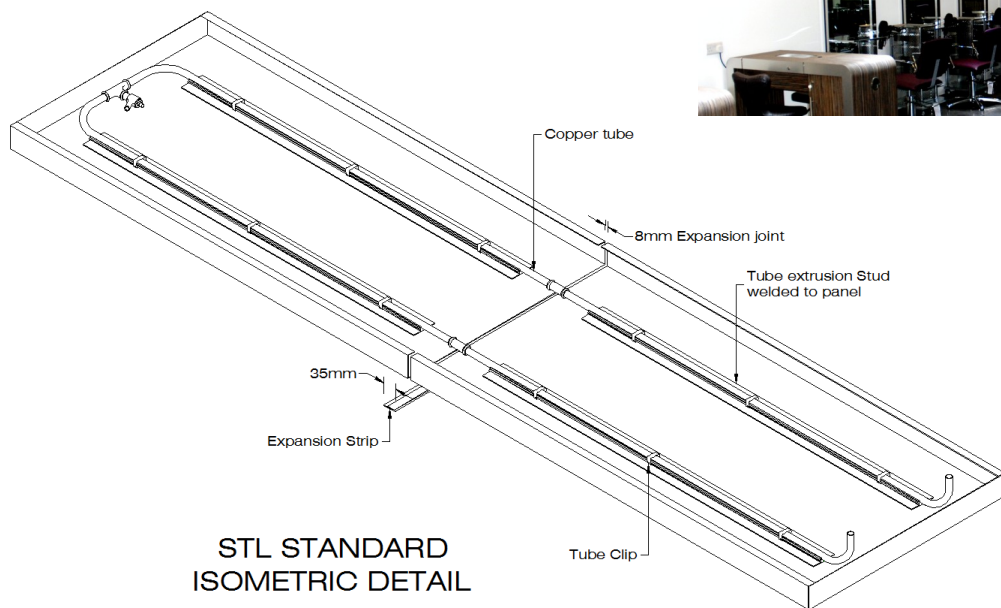


Solray Trident Modular



Solray Trident Linear

Solray Trident Linear panels are Trident panels that are longer than 3000mm. They are made up of separate 3m (or smaller) plates that are pushed together on site using push-fit or crimped couplings, and a discreet expansion strip covers the join. After installation, the tubes pass straight through without needing flexibles or air vents for high points.



Solray Trident Technical Specification

- 1.6mm smooth aluminium faceplates, free of any ridges and lines
- Factory finished in a white texture to RAL 9010 (other colours can be provided)
- Waterways will be two or four copper tubes sized to minimise pressure drops while maintaining turbulent flow through all tubes. The minimum pipe diameter will be 15mm to prevent the tubes blocking easily
- All factory assembled grids are tested to 7 bar, for system working pressures of 3.5 bar. Solray Tridents can be tested to higher pressures if required
- A drain cock, with an optional plugged hose access hole, is included as standard at all low points
- Insulated with 50mm foil backed unencapsulated glass fibre with a thermal conductivity at 70°C of 0.045 W/m K
- Panel mass: 600mm wide with 2 tubes = 7.5 kg/m
- The outputs of Solray Panels have been tested to BS EN 14037