

# Solray Electric Radiant Panel Zone Control Kit



The Solray Zone Control Kit allows for accurate control of a group of radiant panels where there is no BMS . Each kit includes one each of the following items.

## V22 Wireless Programmable Room Thermostat

- LCD display
- Easy setup, choice of 9 factory preset programs
- Capable of controlling up to 4 receiver/switching units (V23)
- 7 day programming with up to 6 time/temperature settings per day
- Manual override with timer function
- Auto, manual, holiday and off (frost) modes
- Display powered by 2 AAA batteries
- Range: 30m



## V23 Wireless Receiver/Switching Unit

- Rated to 16 Amp at 230V
- Can switch up to 3600W
- LED status indicators
- Option to connect an external sensor



## Possible Schematics

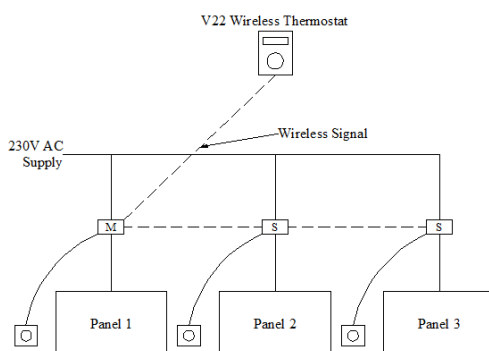


Fig. 1

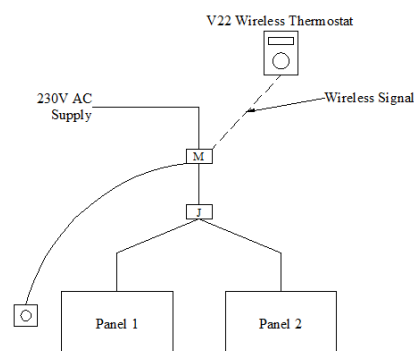


Fig. 2

- [M] Master V23 Receiver/Switching Unit
- [S] Slave V23 Receiver/Switching Unit
- [J] Junction Box (by others)
- [O] Optional Black Bulb Sensor

T 01792 89 22 11  
E sales@solray.co.uk

Comyn Ching & Co. (Solray) Ltd.  
Phoenix Way, Garngoch Ind Est, Gorseinon, Swansea SA4 9WF.

[www.solray.co.uk](http://www.solray.co.uk)

Registered In England: 12454878

# Solray Electric Radiant Panel Zone Control Kit



There are additional items available to customise the Control Kit, these are detailed below

## Additional V23 Wireless Receiver/Switching Units

- The V22 Thermostat can control up to 4 V23 units, one as a master (included in the kit) and up to 3 extra as slave units
- Applications can include large open spaces where there may be multiple electric radiant panels on the same thermostat program



## Black Bulb Temperature Sensor

- Specifically designed to measure the temperature of radiant heating systems
- TITAN Products Black Bulb Temperature Sensor with 10K3A1 element type for use with V series thermostats and receivers (NTC 10k $\Omega$  (25°C) sensing element)
- Applications can include large open spaces where using the V22 Thermostats internal air temperature sensor may give inaccurate results
- The black bulb sensor can be connected to either the V22 Thermostat or the V23 Receiver (if connection to the V23 is required and there are multiple V23 units then each unit must have a sensor).



## V24 Central Touch Panel Control Unit

- The V24 Unit can control up to 24 zones
- Simple installation and setup
- Colour touch screen panel
- Each zone must have a V23 Receiver with the option of a V22 Thermostat for local temperature control



T 01792 89 22 11  
E sales@solray.co.uk

Comyn Ching & Co. (Solray) Ltd.  
Phoenix Way, Garngoch Ind Est, Gorseinon, Swansea SA4 9WF.

[www.solray.co.uk](http://www.solray.co.uk)

Registered In England: 12454878