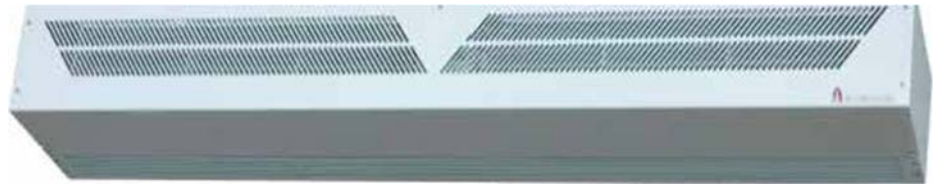


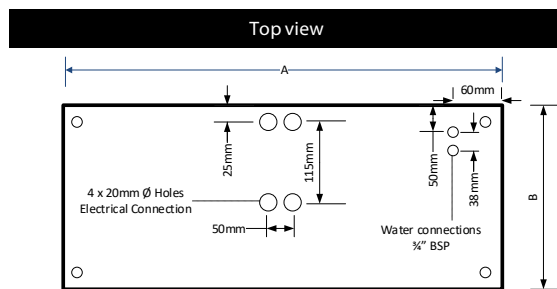
Free Hanging Standard Duty Air Curtains

This elegant slimline range of powerful modular air curtains, built to a high quality, are suitable for pedestrian doorways up to a height of 2.7 metres and a width of 2 metres. They are used in shops, offices, retail outlets, manufacturing facilities, reception areas and warehouses. These units are available with electric heaters and finished in a high quality epoxy polyester powder RAL 9010. (Other colours are available on request).

This range meets with the specifiers and end users' needs - low cost, continuously rated, easy to install and service.

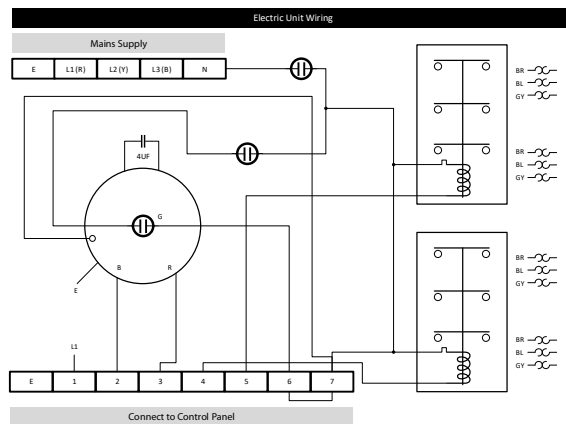
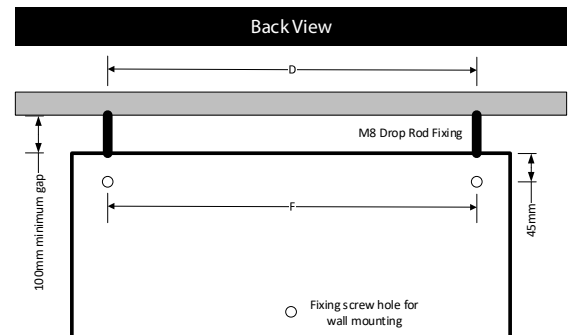
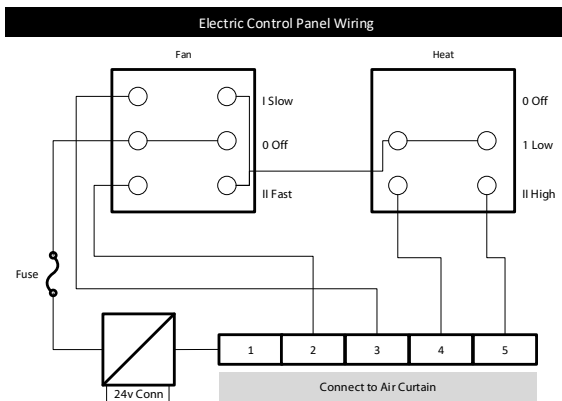


Model	Heat Output	Max current/phase	Motor Power	Voltage	Max Air Vol m3/h	Max Height	Noise Level d(B)A	Weight kg
ACD10E	7kW	10A	60W	380V/3ph	1400	2.7m	55/52	23
ACD15E	12kW	17A	60W	380V/3ph	2100	2.7m	56/53	35
ACD20E	14kW	20A	120W	380V/3ph	2800	2.7m	58/55	46



Model	Unit Dimensions		
	A mm	B mm	C mm
ACD10E	1100	300	200
ACD15E	1600	300	200
ACD20E	2200	300	200

Model	Unit Fixing Positions		
	D mm	E mm	F mm
ACD10E	1040	190	1040
ACD15E	1540	190	1540
ACD20E	2140	190	2140



Free Hanging Heavy Duty Air Curtains

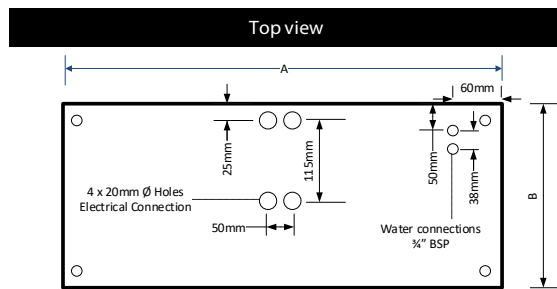
The heavy duty models enjoy the same elegance and high quality as the standard output models but are more robust and built to offer greater performance.

Ideal for use in warehouses, petrol/ railway stations and general industrial applications. Suitable for a height of up to 4 meters.

These units are supplied with electric heaters and are epoxy powder coated RAL 9010 (other colours are available on request).

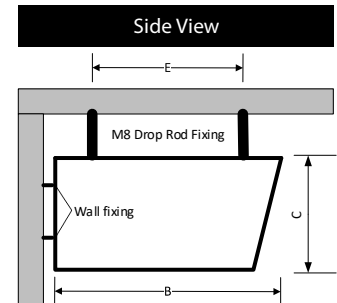
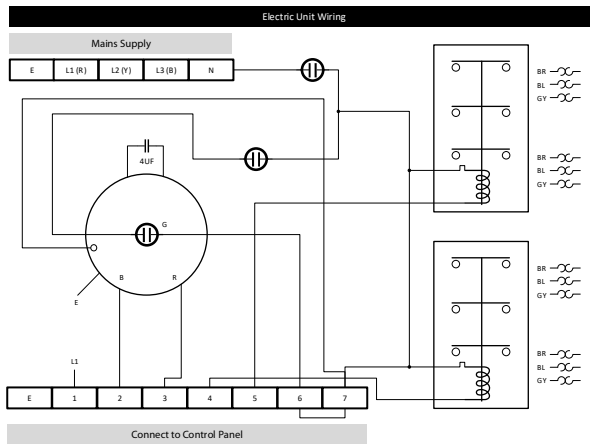
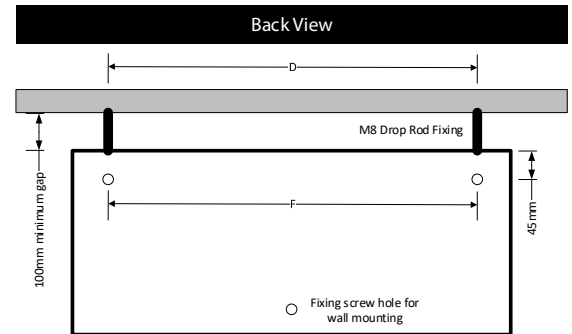
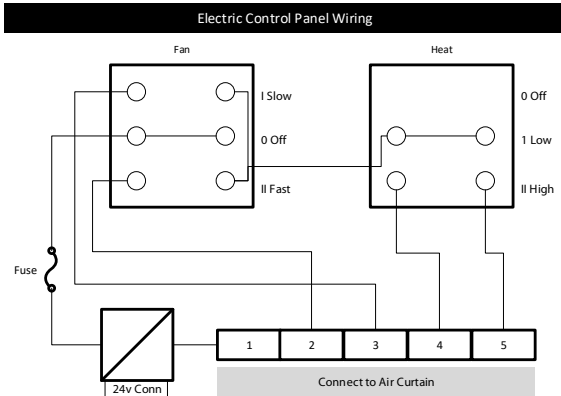


Model	Heat Output	Max current/phase	Motor Power	Voltage	Max Air Vol m3/h	Max Height	Noise Level d(B)A	Weight kg
HD10E	12kW	17A*	180W	380V/3ph	1800	4m	69/66	28
HD 15E	18kW	26A*	180W	380V/3ph	2640	4m	72/69	40
HD 20E	24kW	35A*	360W	380V/3ph	3600	4m	72/69	56



Model	Unit Dimensions		
	A mm	B mm	C mm
ACD 10E	1100	350	250
ACD15E	1600	350	250
ACD20E	2200	350	250

Model	Unit Fixing Positions		
	D mm	E mm	F mm
ACD 10E	1040	245	1040
ACD15E	1540	245	1540
ACD20E	2140	245	2140



Recessed Air Curtains

Recessed air curtains use the same high quality components as the stand alone models. They are specifically designed to fit into small recessed ceiling areas having a depth of only 250mm for the Standard Duty model or 300mm for the Heavy Duty model.

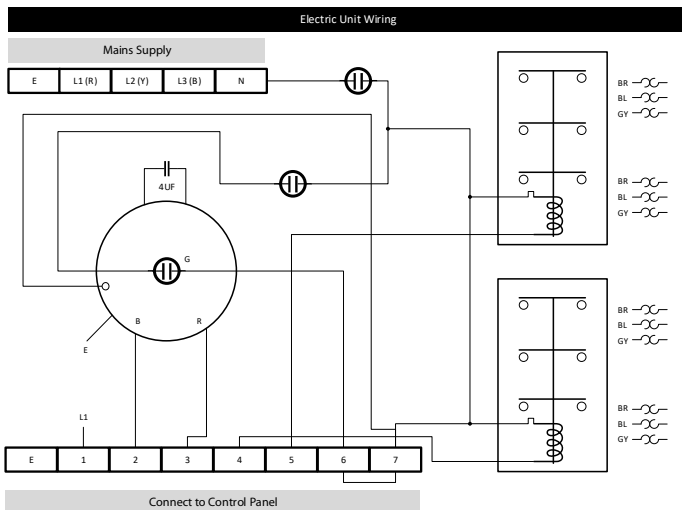
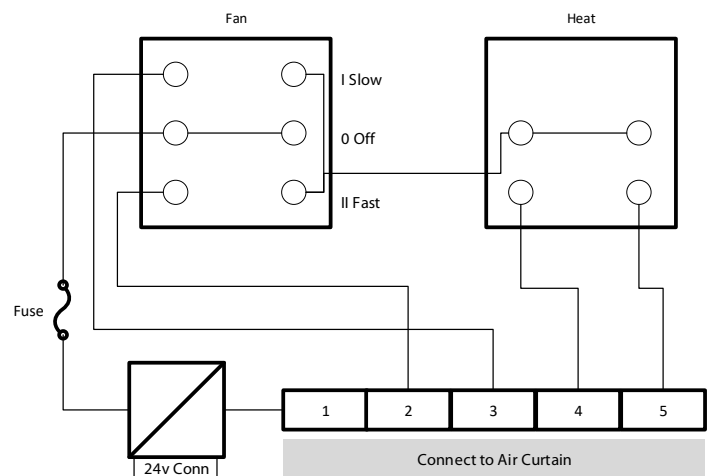


Supplied with a drop-down hinged linear grill for ease of installation and servicing, the compact recessed range is ideal when an unobtrusive air curtain is required. Supplied with electric heaters the recessed models are suitable for ceilings up to 4 metres in height.

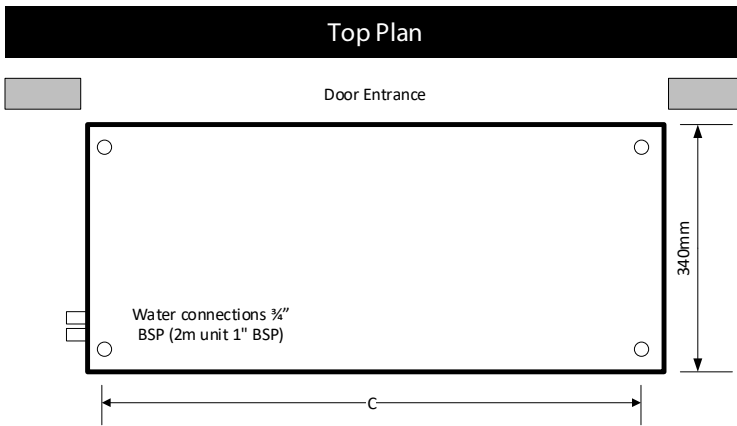
The linear grill is finished in high quality polyester powder coat in RAL 9010 (other colours available on request).

Model	Heat Output (80/60°C)	Max current / phase	Motor Power	Voltage	Max Air Vol m3/h	Max Height	Noise Level d(B)A
Standard Duty							
ACD10E R	12kW	17A	180W	380V/3ph	1800	4m	69/66
ACD15E R	18kW	26A	180W	380V/3ph	2640	4m	72/69
ACD20E R	24kW	35A	360W	380V/3ph	3600	4m	72/69
Heavy Duty							
HD 10E R	12kW	17A	180W	380V/3ph	1800	4m	69/66
HD 15E R	18kW	26A	180W	380V/3ph	2640	4m	72/69
HD 20E R	24kW	35A	360W	380V/3ph	3600	4m	72/69

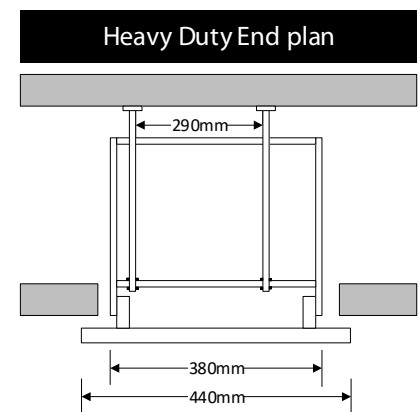
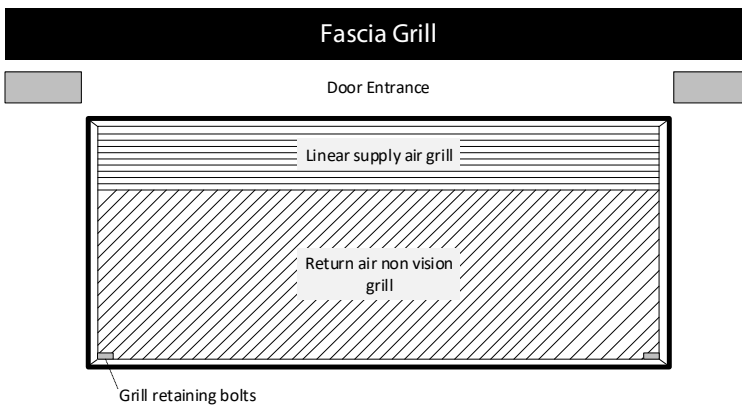
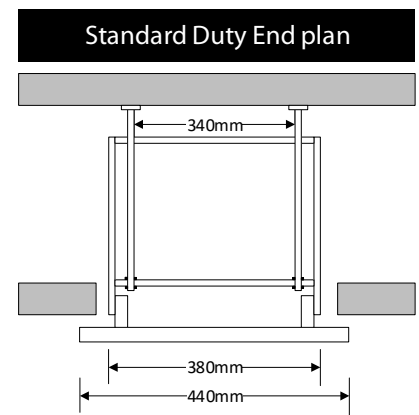
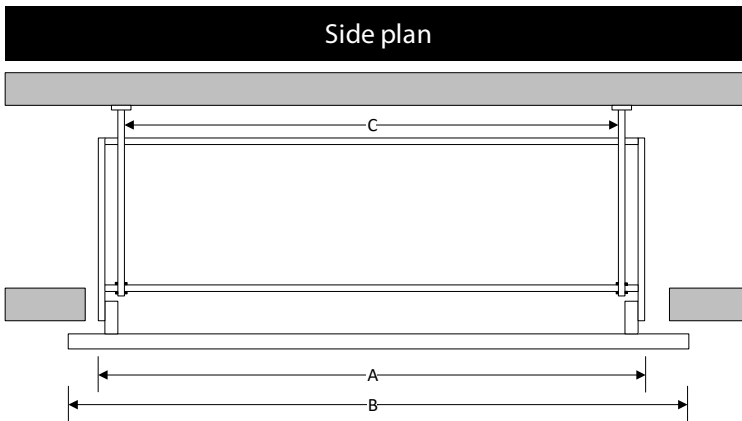
Electric Control Panel Wiring



Recessed air curtains



Model	Recessed Backbox and Grill Dimensions				
	A mm	B mm	C mm	D mm	Weight
Standard Duty					
ACD10ER	1140	1200	1115	250	32
ACD15ER	1640	1700	1615	250	48
ACD20ER	2140	2200	2115	250	64
Heavy Duty					
HD 10ER	1140	1200	1115	300	34
HD 15ER	1640	1700	1615	300	50
HD 20ER	2140	2200	2115	300	68



✉ Sales@solray.co.uk

☎ 01792 89 22 11

www.solray.co.uk

Comyn Ching & Co. (Solray) Ltd.
 Phoenix Way, Garngoch Ind Est, Gorseinon, Swansea SA4 9WF
 Registered in England No 01254878



Architectural air curtains

The company's architectural range of air curtains meet architects' requirements for neat, unobtrusive, efficient installations suited to stylish designs for contemporary buildings.

Other applications for this type of unit are shops, offices and retail outlets which require high performance, energy efficient solutions.

Products can be supplied in either mirror polished or brushed finish stainless steel or colour coded to meet most RAL colour schemes.

Units can be mounted either over-door or vertically beside the door.

Model	Unit Dimensions		
	W mm	H mm	D mm
ACD 100SSE	1200	360	280
ACD 150SSE	1700	360	280
ACD 200SSE	2300	360	280



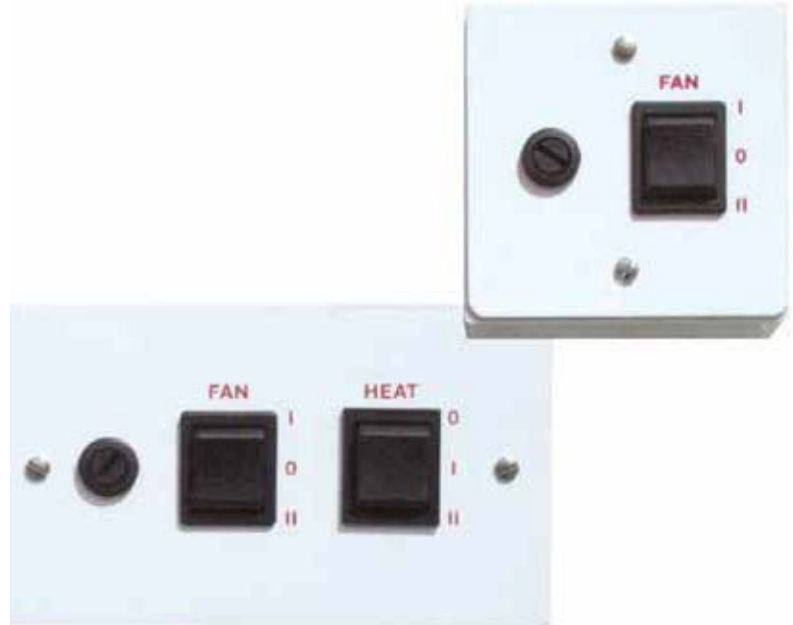
Model	Heat Output kw	Input Amps per phase	Voltage	Max Air Vol M ³ /h	Noise Level dB(a)	Weight kg
ACD 100SSE	9	13	380/3ph	1290	55	35
ACD 150SSE	12	17	380/3ph	2100	57	55
ACD 200SSE	18	26	380/3ph	2590	60	75

Controls and Wiring

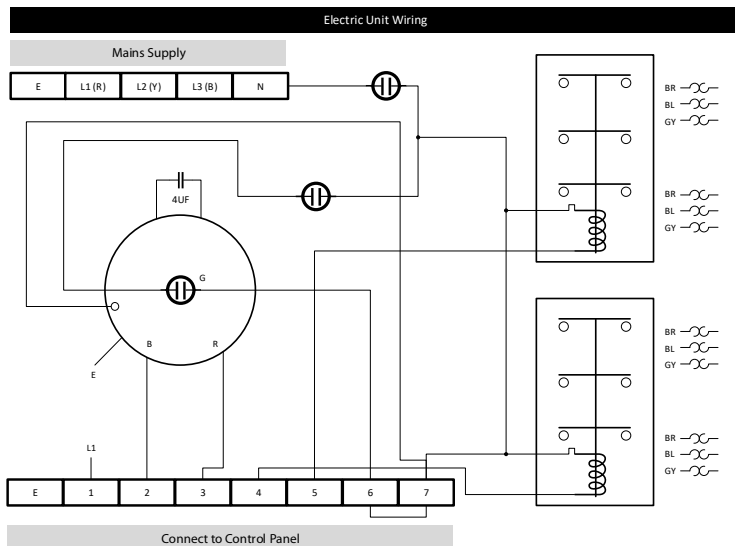
Air curtains are supplied with remote control panels as standard and can be flush or wall mounted. Ambient and water heated units have a three position switch giving slow fan speed/off/fast fan speed. Electrically heated units are supplied with an extra three position heat switch offering off/low heat/high heat. Each control panel can be used to control single or multiple units.

Additional Controls

Thermostatic and valve controls, door switches and BMS volt free contacts (enable/disable/fault). All available on request.



Electrically heated wiring



Electric control panel

